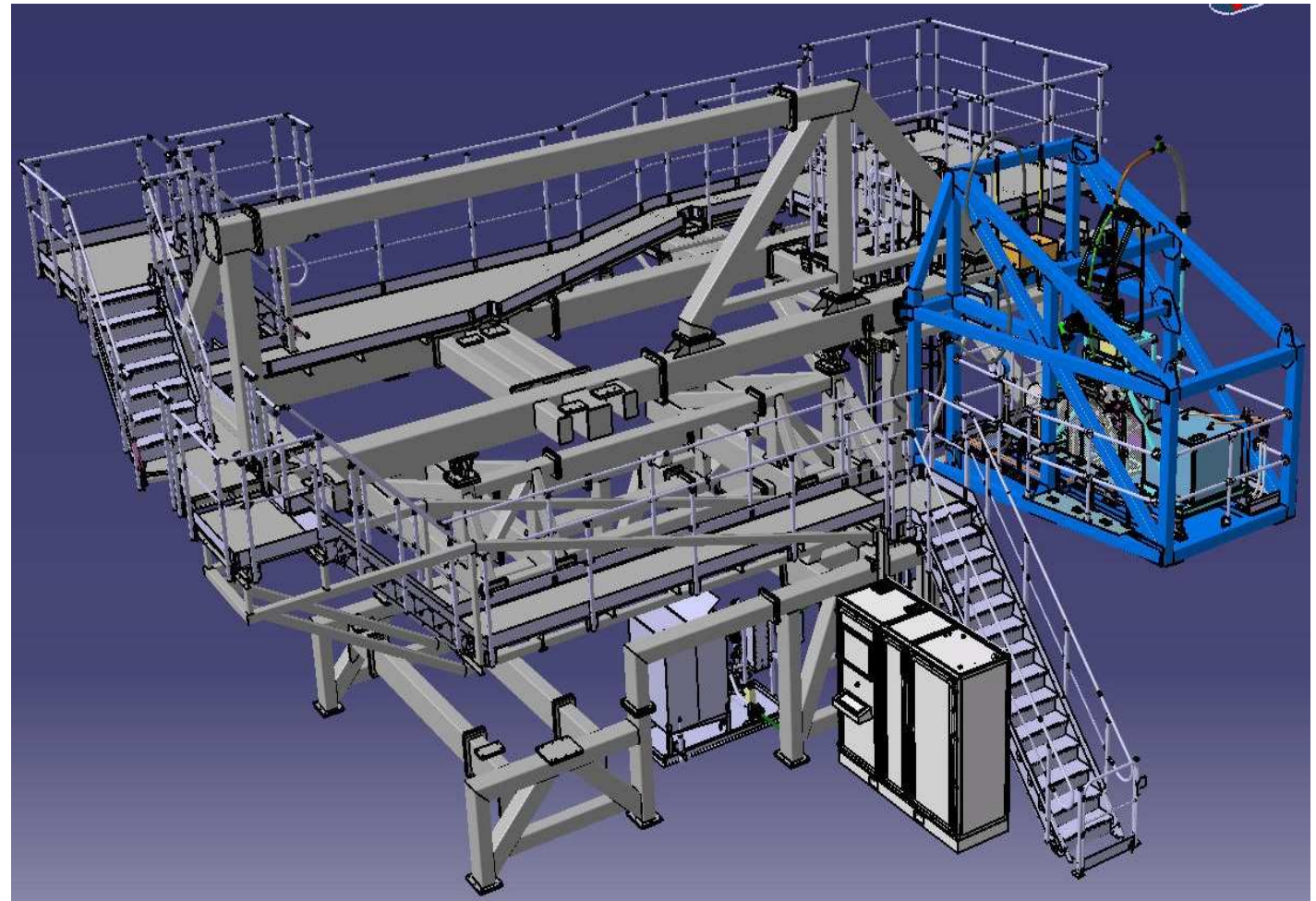


Catia 3D CAD Design Facility

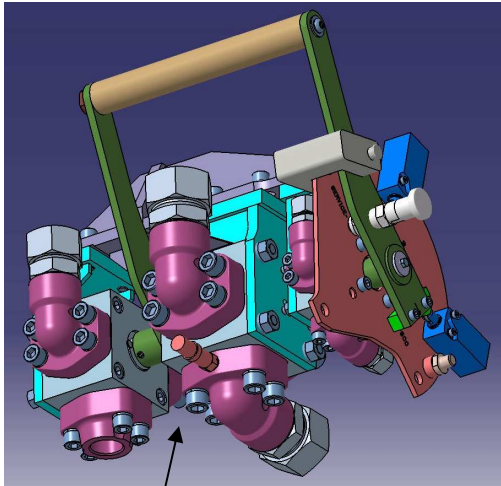
In 2004 Mecelec Design recognised that one of their aerospace customers were using Catia 3D CAD modelling in their designs. At their request & looking to the future Mecelec Design decided to take the step & invest in a Catia workstation which would help us supplement & integrate our customers components into any equipment we were designing for them.

Since the introduction of the Catia workstation it has enabled Mecelec Design to attract new customers from both aerospace & other industries who use Catia as their primary design tool.

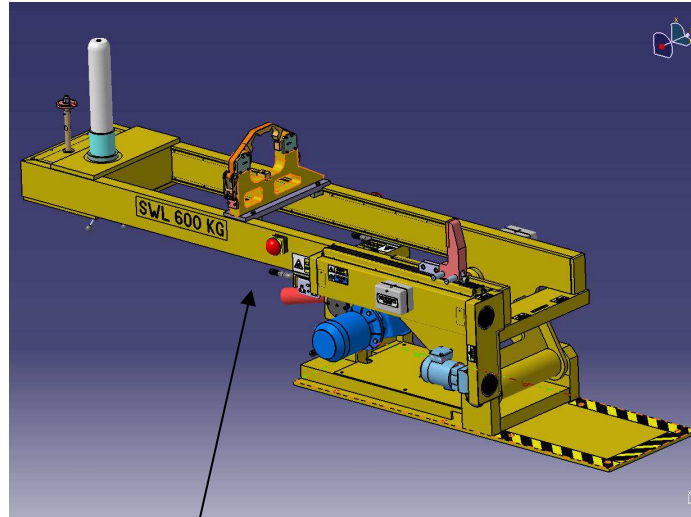


Technical Data

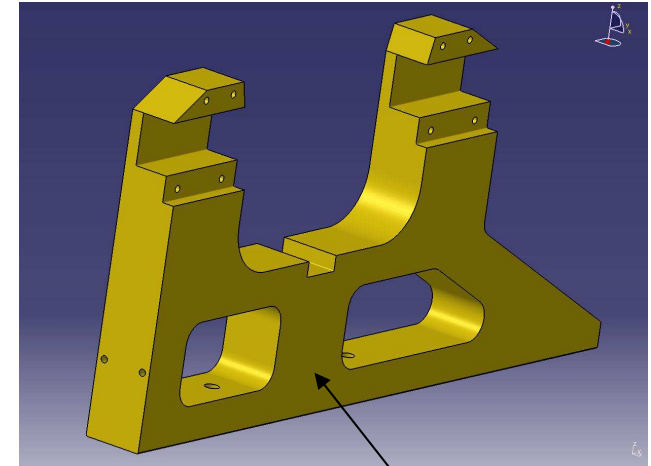
Computer	Dell Precision T7500
Processor	Intel ® Xeon ® CPU
System Type	64 bit
Operation System	Windows 7 Professional
RAM	48GB



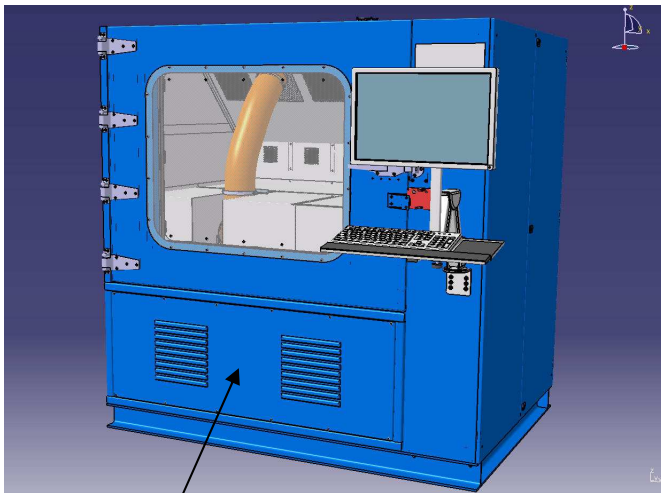
Changeover Valve Sub-assembly



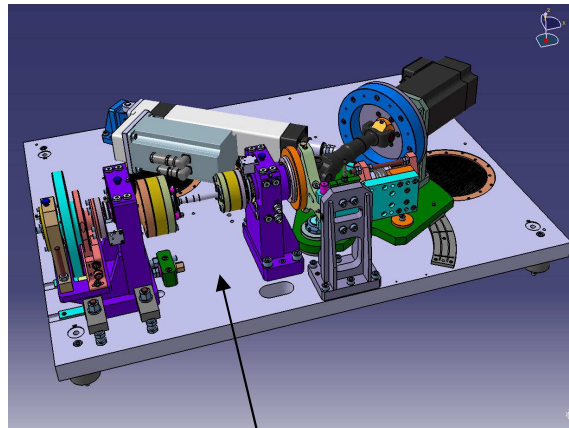
Undercarriage Build Station



Support Block



Compressor Shaft Durability Test Rig



Tooling Plate

