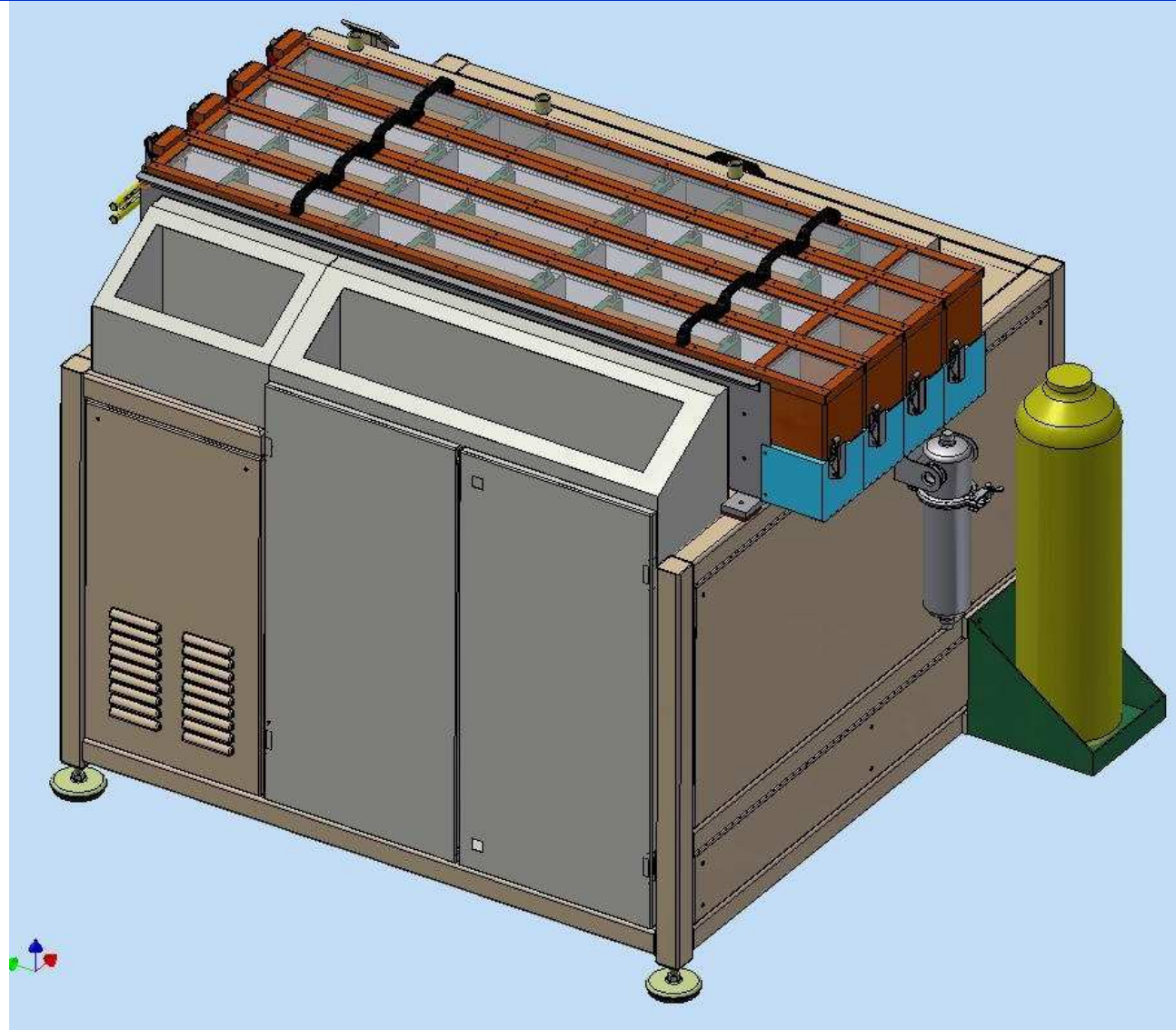
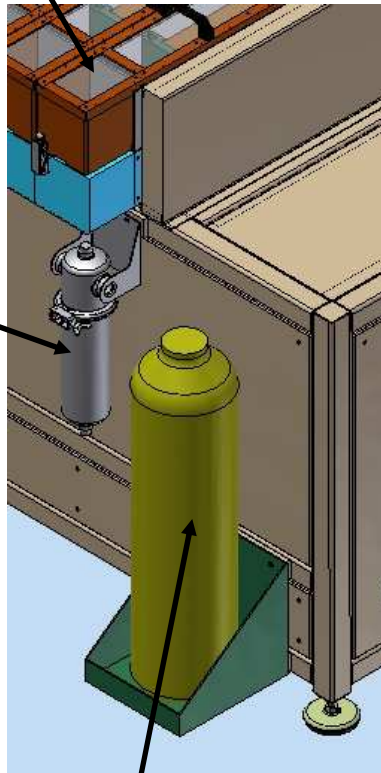


Razor Blade Wash Machine

- Designed to remove process oil from a razor blade strip prior to sharpening and separating into individual blades
- Able to Process Strips from 5mm to 20mm wide.
- Capable of processing strip at up to 12m/min.
- 120 high pressure jets remove oil using hot water only—no detergents or surfactants.
- Four Independent Lanes, able to continue processing whilst up to two lanes are stopped for re-threading.
- PLC Controlled and CE compliant to ensure ability to be CE certified when incorporated into a production line

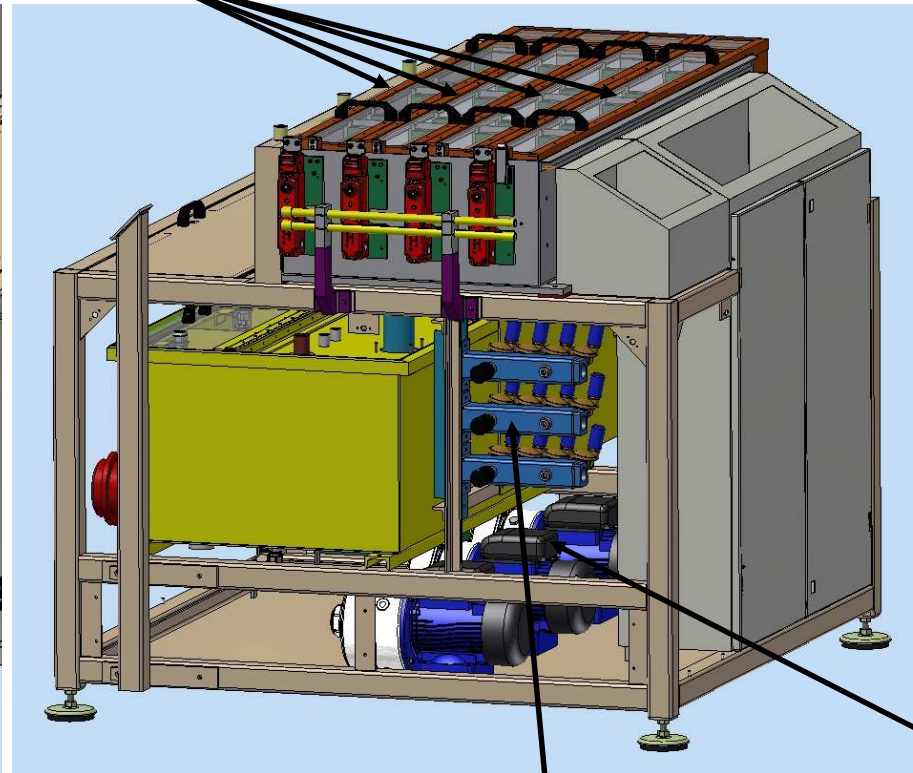


Integrated strip guidance and monitoring for operator safety.



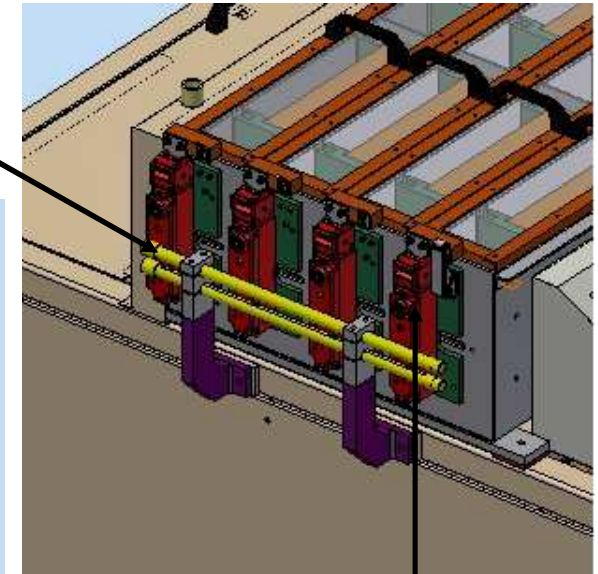
Particulate filter removes solids
Internal skimmer removes oil from wash water

Four Independent Lanes, capable of continuing to process strip on two or three lanes whilst the remaining lanes are being re-threaded



Deioniser provides water supply to machine.

Cold and Hot Air Knives Remove wash water between wash stages and dry strip as it leaves the machine.



Interlocks prevent removal of wash tank lids unless monitoring confirms blade strip has stopped moving and hot wash sprays have stopped

Three wash stages, with independent heating, tanks and pumps to reduce cross contamination and ensure best cleaning results

Twelve solenoids give independent control of three wash stages x four lanes